



SHANGHAI OE INDUSTRIAL CO., LTD.



# SHANGHAI OE INDUSTRIAL CO., LTD.

## 2024 COMPANY PROFILE

## TABLE OF CONTENT

---

Company Overview	03	Key Solutions	12
Company Milestone	08	Product Portfolio	20
Our Global Presence	09	Our Factories	22
Meet The Team	10	Our Projects	23
How We Work	11	Contact Us	25



## COMPANY OVERVIEW

---

### Who we are

Since its establishment in 2011, Shanghai OE Industrial Co., Ltd. (Brogen) has emerged as a leading OEM and ODM provider of customized electric vehicle (EV) solutions. Initially specializing in the global supply of premium automotive parts, our company has evolved to meet the increasing demand for green transportation solutions, reflecting the growing emphasis on environmental protection. Since 2019, driven by our commitment to global environmental sustainability, we have focused on providing customized, eco-friendly solutions and services to companies in the new energy sector worldwide.

### What we do

We offer modular EV solutions tailored for a wide range of applications. From urban delivery and public transportation to heavy-duty haulage and construction equipment, our products address the needs of companies seeking to succeed in the rapidly expanding EV industry. Our diverse customer base includes EV manufacturers and EV technology companies, ensuring that we meet the unique needs of each partner. Our comprehensive offerings help our customers achieve their goals in the emerging EV market.





# MISSION, VISION, VALUE

---

## Mission

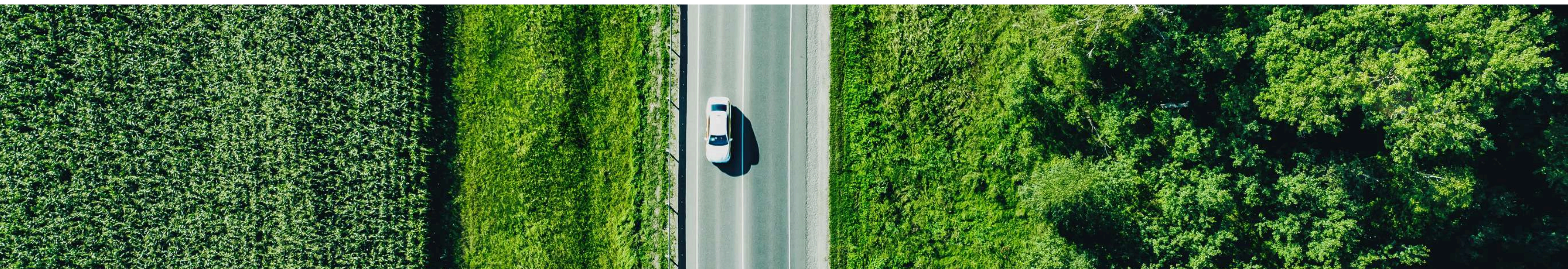
To accelerate the transition to green renewable energy, facilitate early global carbon neutrality, and promote the advancement of human society.

## Vision

To be the premier provider of world-class green renewable energy solutions and services, enabling all stakeholders - customers employees, shareholders, and business partners - to pursue and achieve their aspirations.

## Value

Uphold integrity and honesty;  
Embody both virtue and competence;  
Foster innovation and collaboration;  
Strive for excellence and continuous improvement.





# COMPANY STRENGTH

## Comprehensive EV Solutions

We provide one-stop professional OEM/ODM EV solutions that help manufacturers save time and money.

## Customization Capabilities

Our expertise enables us to deliver customized EV systems that meet the unique needs of our customers.

## Global Expertise

Our deep understanding of industrial ecosystems, cultural backgrounds, and national policies around the world ensures smooth international operations.



## Strategic Partnerships

We work with hundreds of world-class green energy partners to ensure access to the latest technologies and highest quality components.

## Localized Production

For our key partners, we offer localized production capabilities that increase both efficiency and collaboration.

## Global Presence

Headquartered in Shanghai, we have strategic offices in Thailand and Canada to better serve our global customers.

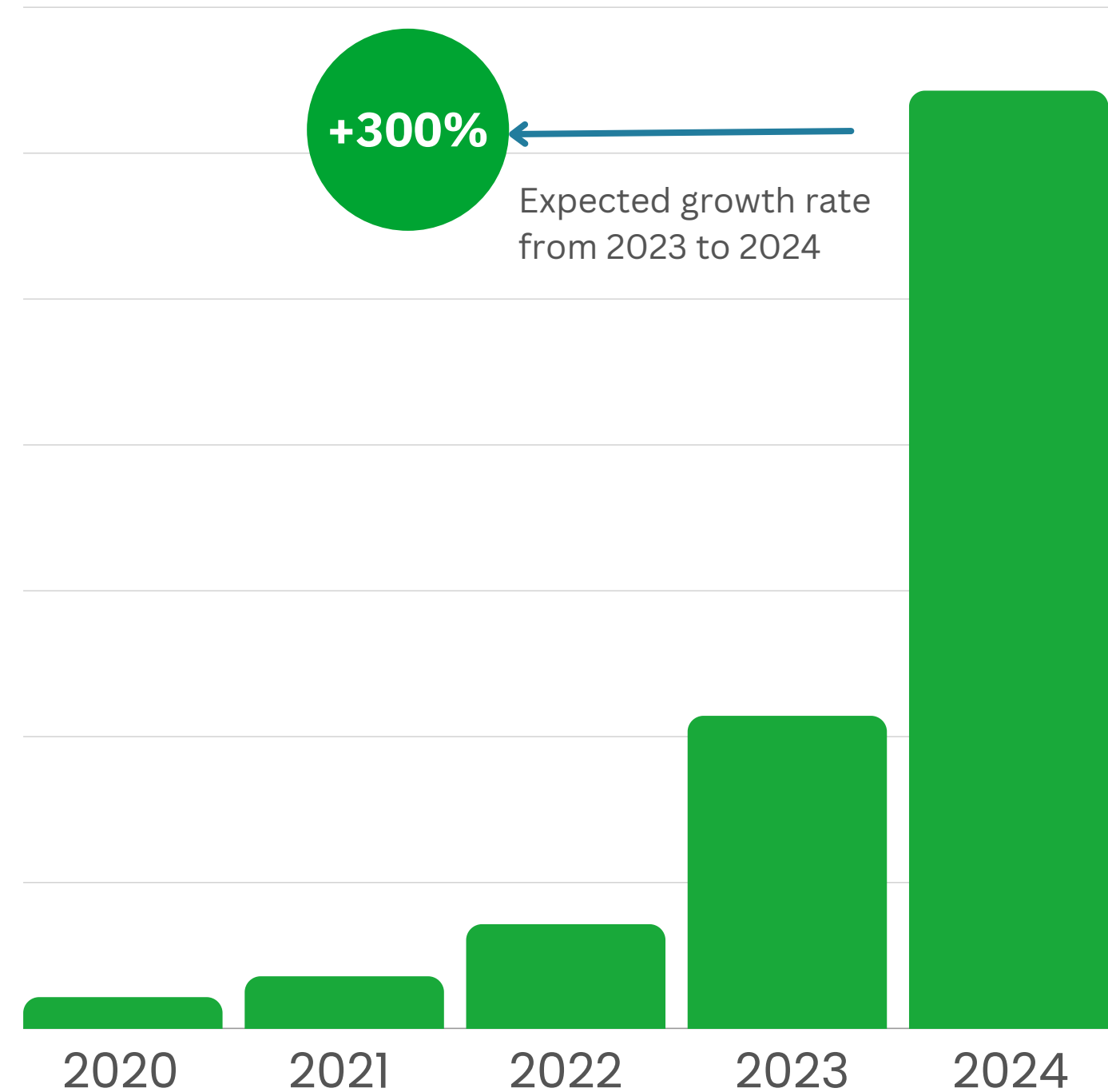


# COMPANY DEVELOPMENT

Each year, our company has experienced rapid growth. This year, we anticipate our business to expand by over **300%** compared to the previous year. From our modest beginnings to these transformative projects, our journey has been fueled by passion, dedication, and a commitment to sustainability. We aim to continue our mission as a premier provider of solutions and services in the realm of green renewable energy.

- 13+** years of EV industry experience
- 30+** countries of product presence
- 300+** global clients

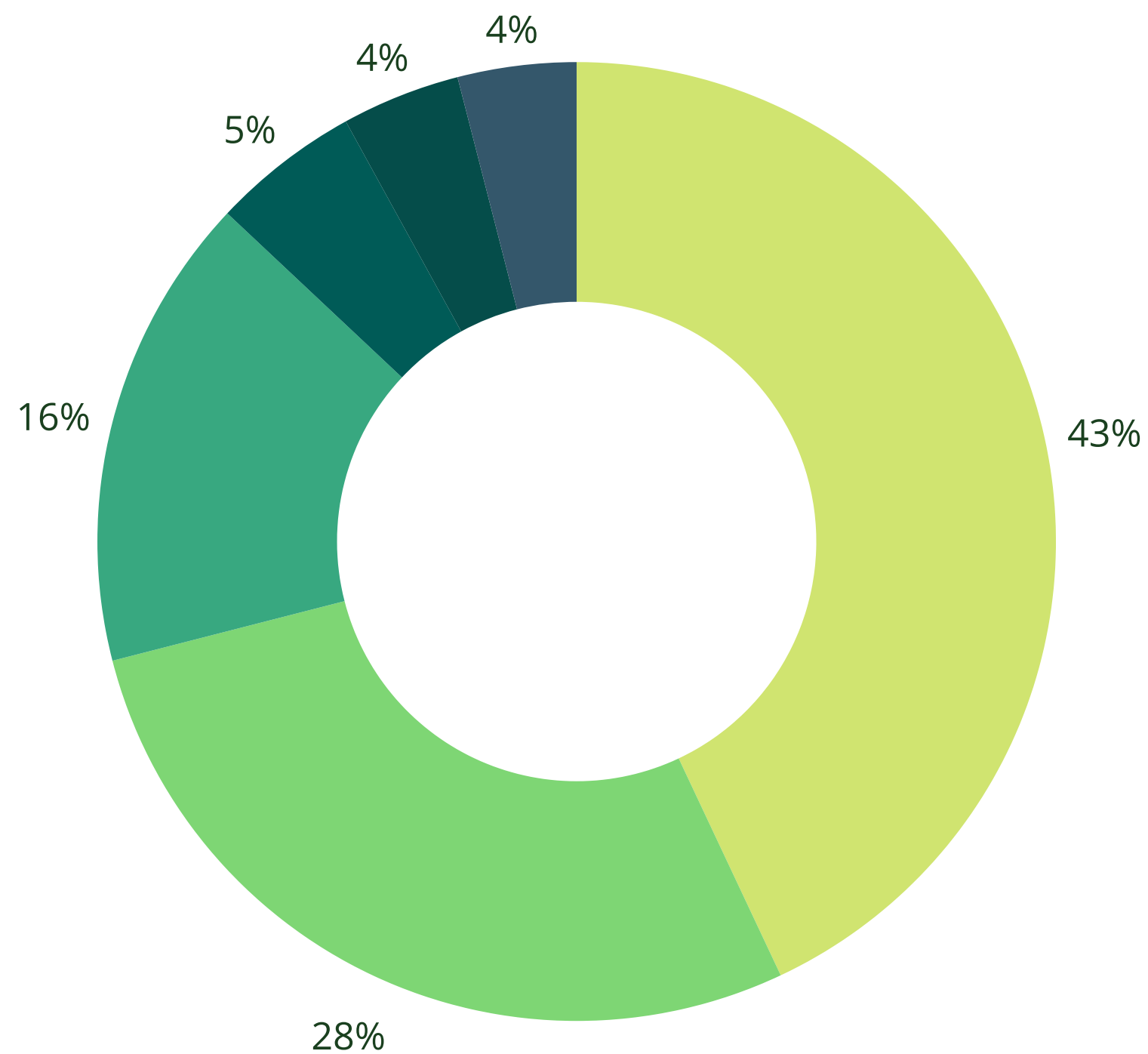
## Annual Revenue Growth





# PRODUCT SALES PROPORTION

- E-Powertrain
- EV Batteries
- Chargers & Converters
- Power Steering Systems
- Braking Systems
- Others



# COMPANY MILESTONE



**2024**

We have secured a major contract worth over \$30 million with a key customer, paving the way for deeper partnerships.



**2023**

We have invested in an e-axle factory and were recognized by Alibaba Group as Global Top Supplier in the EV industry.



**2022**

We supplied traction power and battery systems for Spain's first electric boat project, underscoring our commitment to sustainability.



**2017**

We invested in several EV parts factories, including an EPS factory, strengthening our collaboration in the EV industry.



**2011**

With extensive experience in the automotive industry, CEO Henry Liao founded the company, making its entry into the new energy sector.



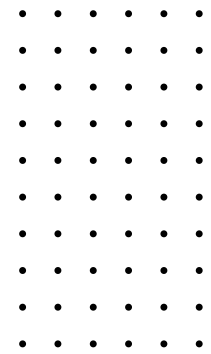
Certificate







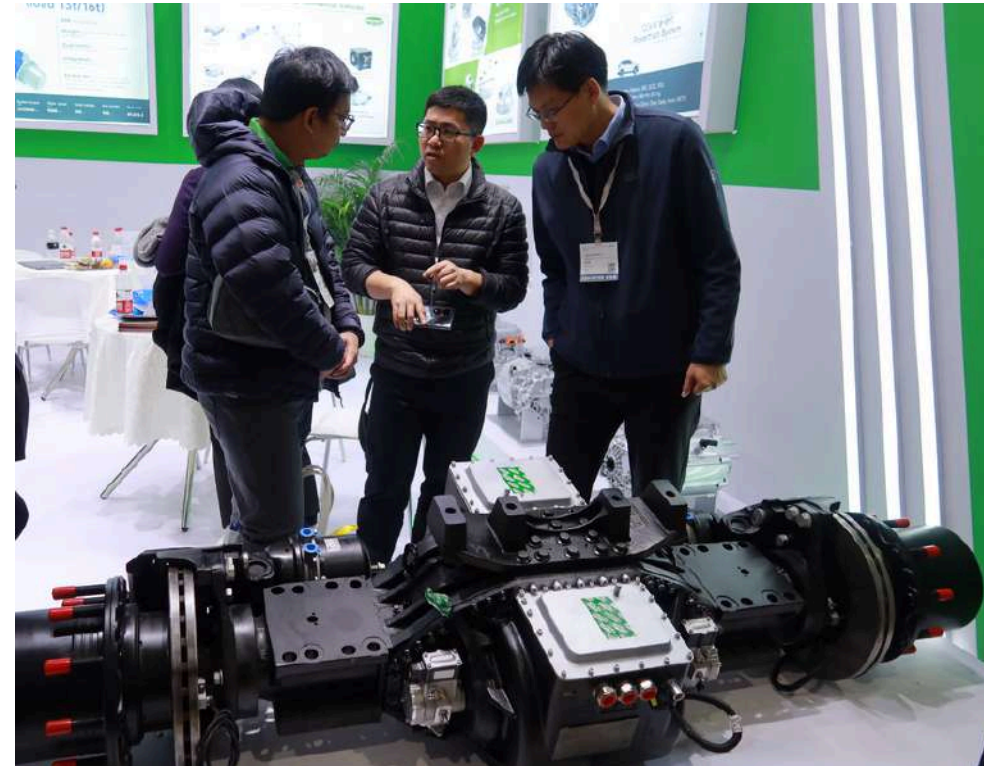
# OUR GLOBAL PRESENCE

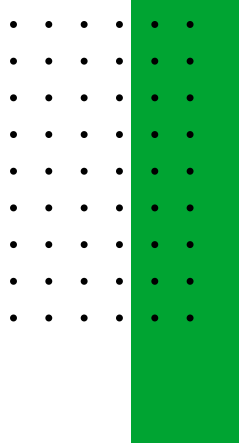


Our EV systems, deployed in over 30 countries worldwide, have proven their resilience under extreme conditions, including high temperatures, severe cold, high humidity, high altitudes, mountainous regions, heavy rainfall areas, and megacities. They have consistently withstood the challenges of diverse and harsh environments.

## MEET THE TEAM

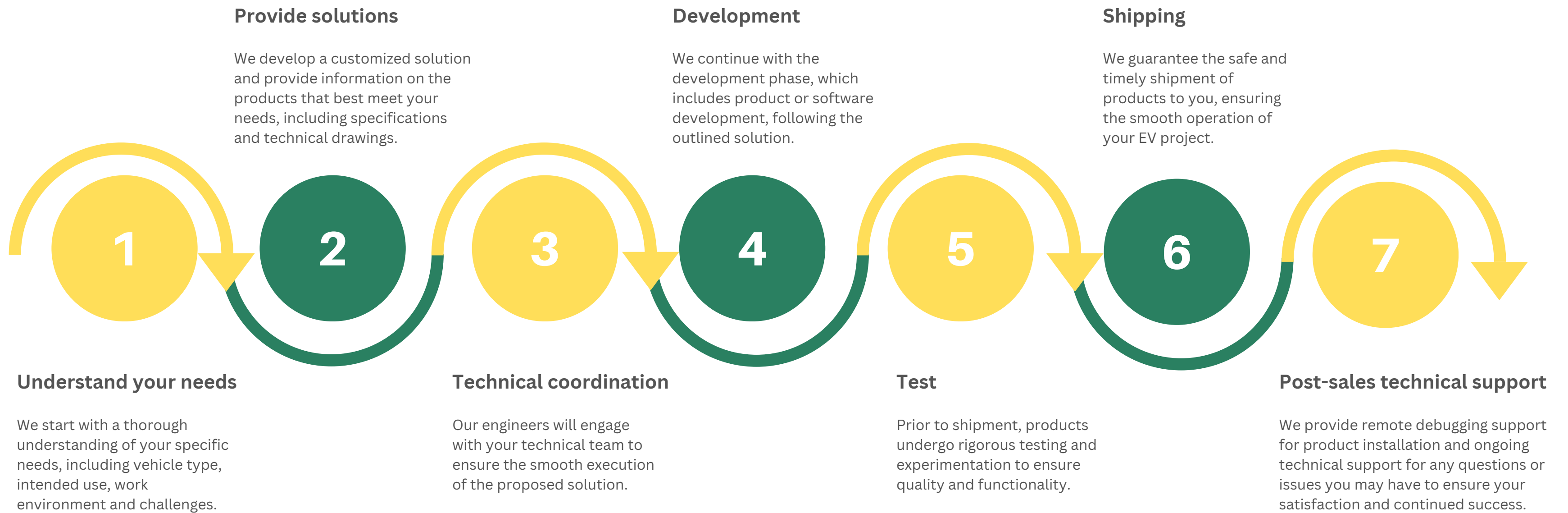
Our team has extensive experience in EV projects worldwide and is dedicated to propelling your business to new heights. We adhere to an integrity-based, customer-first philosophy, focusing on quality and the pursuit of excellence. With our wealth of experience and fresh perspectives, we bring exceptional value to every project.





# HOW WE WORK

To help your company excel in the competitive electric vehicle market, we offer a wide range of complete EV solutions tailored to the unique challenges of EV developers and brands to ensure your success.





## KEY SOLUTIONS

Leveraging our industry expertise, we offer comprehensive systems that benefit both EV manufacturers and fleet operators. Our solutions accelerate R&D and reduce manufacturing footprint for OEMs, while fleet operators benefit from increased efficiency, reduced emissions, and minimized downtime for maintenance.

### e-Powertrain

- 30 kW ~ 800 kW
- PMSM motor
- Improved system efficiency
- Space & weight savings
- High safety & reliability
- Simplified vehicle layout

### Chargers & Converters

- 3.3 kW ~ 40 kW OBC
- X-in-1 integrated system
- Wide voltage output range
- Efficient thermal management
- Excellent heat dissipation
- Comprehensive protection

### EV Battery

- 10 kWh ~ 2000 kWh
- LFP / NMC / LMO
- High energy density
- Space & weight savings
- High safety & reliability
- Flexible & customizable

### EV Chassis

- 6-meter to 18-meter bus
- Class 1 to Class 3 truck
- Adapt to various vehicle types and payloads
- Flexible customization options
- Driver-centric design for enhanced experience

## FOR LCV

Electric Light Commercial Vehicles (LCVs) are critical to the commercial vehicle market, especially with the rise of electric vehicles. Our customized EV solutions for LCVs streamline production and operations, saving time and money while increasing efficiency and market competitiveness.

### Motor + Controller + Gearbox (optional)



- 60 kW ~ 165 kW
- PMSM motor
- Minimize chassis modification
- Efficient transition plan

### Electric Axle



- 60 kW ~ 165 kW
- PMSM motor
- Optimizing vehicle layout
- High system transmission efficiency

### EV Battery



- 33 kWh ~ 100 kWh
- LFP battery
- High energy density
- Flexible & customizable

### EV Chassis



- Class 1 ~ Class 3 truck
- Adapt to various vehicle types and payloads
- Flexible customization options
- High integration



## FOR HCV

For heavy commercial vehicles, we offer a comprehensive range of EV systems designed to significantly enhance fleet operational efficiency while elevating safety standards in heavy-duty transportation.

### Motor + Controller + Gearbox (optional)



- 165 kW ~ 800 kW
- PMSM motor
- Minimize chassis modification
- Efficient transition plan

### Electric Axle



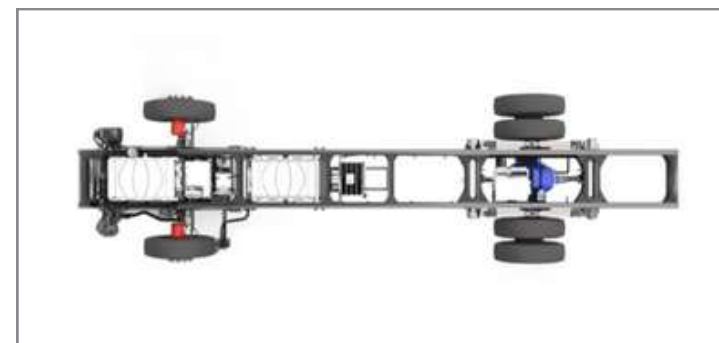
- 360 kW ~ 500 kW
- PMSM motor
- Optimizing vehicle layout
- High system transmission efficiency

### EV Battery



- 180 kWh ~ 600 kWh
- LFP battery
- High energy density
- Flexible & customizable

### EV Chassis



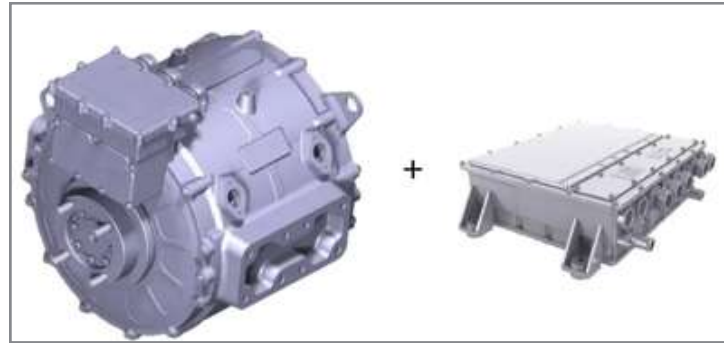
- 20% fuel savings and CO<sub>2</sub> emissions reduction
- Adapt to different tractor types
- Flexible customization options



# FOR PUBLIC TRANSPORT

Aligned with industry trends, our EV solutions support bus and coach manufacturers, fleets, and public transport agencies in transitioning toward zero emissions, zero accidents, and improved efficiency.

Motor + Controller + Gearbox (optional)



- 130 kW ~ 400 kW
- PMSM motor
- Improve passenger comfort
- Easier maintenance

Electric Axle



- 180 kW ~ 320 kW
- Adaptable to the low-floor design
- Distributed drive system
- Extra safety redundancy

EV Battery



- 180 kWh ~ 420 kWh
- LFP battery
- High energy density
- Flexible & customizable

EV Chassis



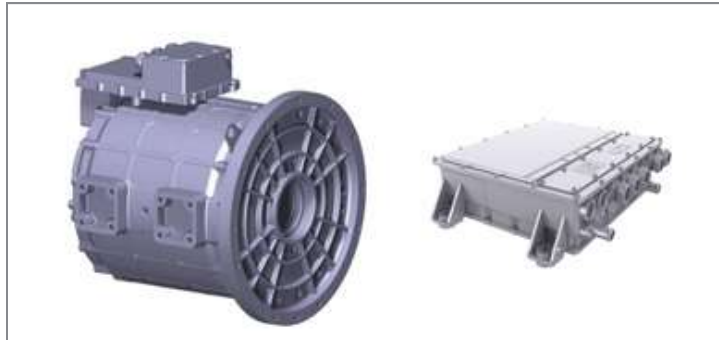
- 6-meter ~ 18-meter
- Compliance with stringent safety standards
- Precision cable and wiring layout
- CAN-BUS electrical control mode



## FOR OFF-HIGHWAY VEHICLES

Aligned with industry trends, our EV solutions support bus and coach manufacturers, fleets, and public transport agencies in transitioning toward zero emissions, zero accidents, and improved efficiency.

Motor + Controller



- Available for specialty vehicle upfitting
- PMSM motor
- High power efficiency
- Adapt to harsh working conditions

EV Battery



- **180 kWh ~ 600 kWh**
- LFP battery
- High energy density
- Flexible & customizable



## FOR VESSELS

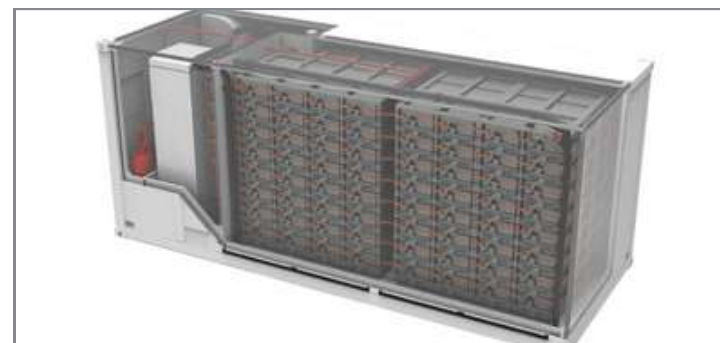
Contributing to the construction of an eco-civilization on water, our vessel solutions provide safe, reliable, green and environmentally friendly options.

Motor + Controller



- Powerful performance
- High system efficiency
- Compact and lightweight design
- Adapt to harsh working conditions

EV Battery

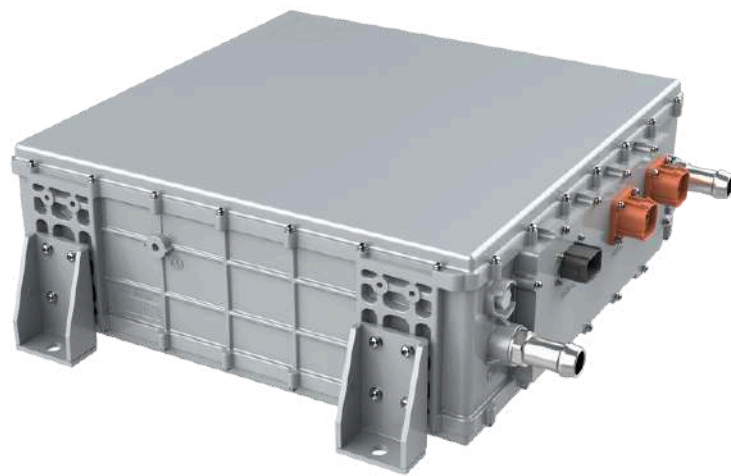


- **90 kWh ~ 2000 kWh**
- Efficient liquid cooling & heat dissipation
- Independent & safe pre-processing
- Flexible & customizable





## OTHER SOLUTIONS



### On-board Charger

- 3.3 kW ~ 40 kW
- Single OBC; 2-in-1 OBC+DCDC; 3-in-1 OBC+DCDC+ PDU
- Adapt to high-voltage platforms
- Excellent heat dissipation
- Wide voltage output range

### Inverter

- X-in-1 compact system with DC/DC converter, DC/AC inverters, and PDU
- Robust design for harsh operating conditions
- Quiet operation for minimal disruption
- Flexible to accommodate various vehicle types and configurations
- Reduce redundant components for cost savings and operational efficiency



## OTHER SOLUTIONS



### EHPS

- Integrated compact design
- Configurable operating modes via CAN communication
- Flexible development and wide applicability
- Multi-variable fuzzy control
- Temperature monitoring
- Dual source for additional safety redundancy

### EPS

- Light & responsive steering
- Flexible system layout
- Low noise, high comfort & active safety
- Fast matching and rapid development
- Compatibility with ADAS and autonomous driving



### RCB

- High transmission efficiency
- Easy and comfortable to operate
- Less wear on mechanical parts
- Long service life

## OTHER SOLUTIONS

---



### Air Brake Compressor

- Self-lubricating materials for oil-free compression
- Two-stage compression system
- Advanced noise reduction technology
- Shock absorption for smooth operation with minimal vibration
- Broad applicability and robust versatility

### BTMS

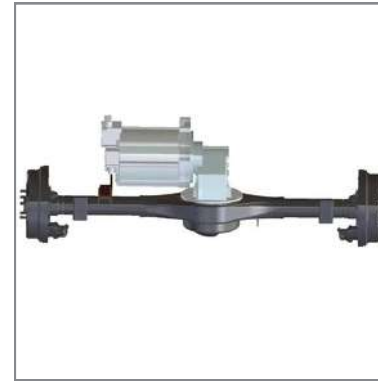
- Efficient heat dissipation
- Accurate battery measurement and monitoring
- Battery preheating for improved low-temperature charge/discharge performance and safety
- Temperature equalization to reduce thermal disparities and extend overall battery pack life



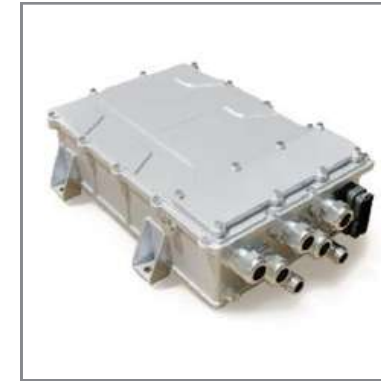
# PRODUCT PORTFOLIO



Motor



eAxle



Controller



EV Battery



BTMS



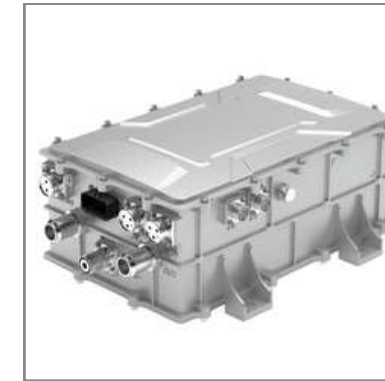
EHPS



EPS



OBC



Auxiliary Inverter



AC Compressor



Air Brake Compressor



Water Pump



Bus Air Conditioner



EV Chassis



## OUR OFFERINGS

Products	Car	Truck	Bus	Ship	Off-highway Vehicle	Remark
PMSM Motor	√	√	√	√	√	Based on our discussion, we will recommend the appropriate motor and controller for your needs. We don't supply controllers separately. If needed, some solutions integrate the motor, controller, and gearbox into a 3-in-1 system.
Controller	√	√	√	√	√	
Gearbox	√	√				
Electric Axle		√	√			E-axle with single motor, dual motor, independent controller, 2-in-1 controller
EV Battery	√	√	√	√	√	We offer battery cells, modules, and packs. We don't do personal projects.
Battery Thermal Management System		√	√			
EV Chassis	√	√	√			
OBC	√	√	√			Single OBC, 2-in-1 OBC+DCDC, 3-in-1 OBC+DCDC+PDU
DC / DC Converter	√	√	√			
PDU	√	√	√			
Auxiliary Inverter		√	√			
EPS	√	√	√			For new vehicle development projects.
EHPS	√	√	√			For conversion projects.
Air Brake Compressor		√	√			
Water Pump	√	√	√			
Vacuum Pump	√					
Air Conditioning System	√	√	√			
Harness Wire (High Voltage)	√	√	√			If the quantity is small, it cannot be provided.

# FACTORIES

Explore our factories, the birthplace of our products. Equipped with advanced automated production lines and intelligent production management systems, we ensure high efficiency and reliability in meeting the dynamic needs of our clients.

**Motor & eAxle  
Factory**



**4,400,000,000 KM**

Cumulative mileage

**80,000**

Square meters



**Battery Factory**

**31 GWH**

Current annual capacity

**35**

Acres

# OUR PROJECTS

\* In adherence to confidentiality agreements, only a curated selection of items is showcased here.

## 40-Ton Electric Heavy Truck

- **Project timeline:** 2021
- **Country:** Portugal
- **Offered products:** EV motor, EHPS, air compressor, 3-in-1 auxiliary converter



## Electric Light-Duty Truck

- **Project timeline:** 2021
- **Country:** South Korea
- **Offered products:** EV motor, MCU, EHPS, DC/DC converter, air brake compressor



## 18-Ton Electric Truck

- **Project timeline:** 2020
- **Country:** UK
- **Offered products:** EV motor, air brake compressor, EHPS, OBC, auxiliary converter



## 40-Ton Electric Semi Truck

- **Project timeline:** 2022
- **Country:** India
- **Offered products:** Integrated e-powertrain system of EV motor and 6-speed gearbox



# OUR PROJECTS

\* In adherence to confidentiality agreements, only a curated selection of items is showcased here.



240 kW electric axle  
10-meter bus

360 kW electric axle  
53-ton truck

Air brake compressor  
City bus

320 kW electric axle  
12-meter bus

EV motor  
Mining truck

EV battery  
Loader

AC/DC power supply  
Crane

AC/DC power supply  
Petroleum machinery



EV motor  
Light-duty truck

EV battery  
EV boat

EV motor  
Pick-up

EV motor for upfit  
Concrete mixer

EV motor  
Train

EV battery  
Electric ship

EV battery  
Light-duty truck

EV battery  
Port AGV





# CONNECT WITH US.

## Email

sales@oe-autoparts.com

## Social Media

 Shanghai OE Industrial Co., Ltd.

 @BrogenPowertrain

## Call us / whatsapp

+86 193 5217 3376

